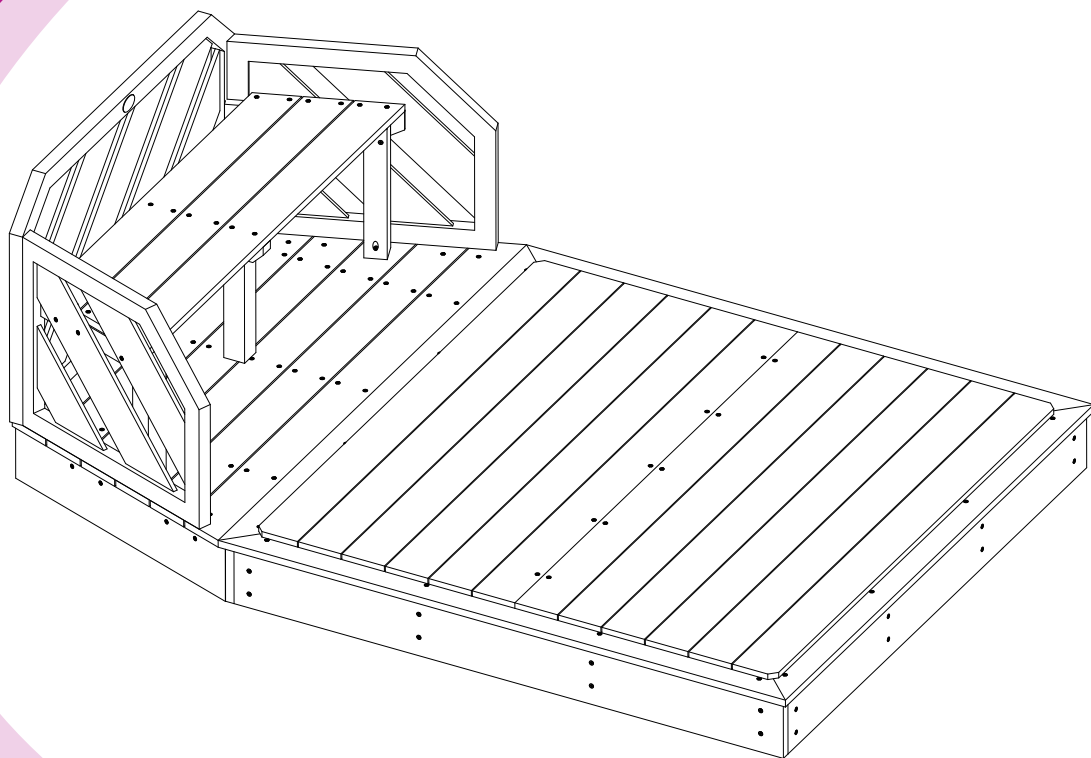




# assembly instructions

## premium sand pit and bench

assembly requires 2 adult  
(approx. 3 hours assembly time)



The mark of  
responsible forestry

**WARNING! Not suitable for children under 36 months – small parts - choke hazard. Min user age 3 years. Max user weight 50kg. Only for domestic and supervised nursery use. Outdoor use only. Adult assembly required. Adult supervision recommended at all times.**

## Advisory Section

To ensure the safety of you, the installer and your children, it is important that these instructions are read fully before commencing the positioning and installation of this product. Assembly is to be carried out by a competent adult only. During assembly children should be kept away from the product due to possible risk of injury. Do not use this item if any components are missing or damaged.

### Keep your sand table safe for the children

1. Always cover the sand when not in use, to prevent unwanted animals from playing in the sand.
2. Regularly check sand for impurities and any other sharp objects that may cause harm to children, including at the beginning of the season.
3. Use washed play sand suitable for use in children's sand pits.
4. Regularly change the sand to ensure that there is no build up of mould and to ensure that the play area is hygienic.
5. In windy and adverse weather conditions place the product in a safe area. In these conditions the product may become a hazard.
6. Use on a flat surface and not to be installed over concrete, asphalt and any other hard surface.
7. Under no circumstances must modifications or repairs not approved by the manufacturer be conducted.
8. The wooden covers are not toys and are not intended to support any weight.

## Supervised Nursery Use

When the product is used in a supervised nursery environment, these additional requirements apply:

1. Maintenance must be carried out on a daily basis before the item is used
2. Ensure that the product and any content is clean before the product is used
3. Ensure all surfaces are clean and dry

## Timber Advice

This product has been made from premium timber. Great care has been taken in selecting, treating and machining the timber before it is presented to you. Timber is a natural product and as such may experience changes throughout the course of its life. This means it may:

- Develop openings (gaps, slits, apertures, cracks, splits) along the line of the grain. These openings are due to the difference in moisture content between the internal and outer surfaces of the timber. This is to be expected, is totally acceptable and will not affect the integral strength, life or guarantee of the product.
- Warp and distort its shape. Any distortion will be slight and will not affect the safety or enjoyment of this product.
- Fade as the timber reacts with sunlight. The timber should be treated with a proprietary product to act as a protective barrier, i.e. a water repellent, on an annual basis.
- After first year of service treat product with a good quality treatment safe for children's use.

## Routine Maintenance

It is advised that on a regular basis (i.e. at the beginning of the season and monthly thereafter) all main parts/ fixings are checked as secure, well oiled (if metallic), have no sharp points/edges and are intact. Replace, oil and/or tighten when necessary. Failure to do so may result in an injury or hazard.

# IMPORTANT: RETAIN THESE INSTRUCTIONS FOR FUTURE REFERENCE

Plum Products Ltd,  
The Cliff, Middle Street  
Ingham, Lincolnshire, LN1 2YQ, UK  
Tel: +44 (0) 844 880 5302,  
Fax: +44 (0) 152 273 0379

[www.plumproducts.com](http://www.plumproducts.com)

Copyright Plum Products 2013

Plum Products Australia Pty Ltd,  
303/154-158 Military Road,  
Neutral Bay, NSW 2088, Australia  
Tel: 02-99605500  
Helpline: 1800 900 161  
Email: [aushelpdesk@plumproducts.com](mailto:aushelpdesk@plumproducts.com)



## WARNING!

Not suitable for children under 36 months – small parts  
Minimum user age 3 years  
Maximum user weight 50kgs  
For outdoor domestic and nursery use under adult supervision only  
Adult assembly required  
Adult supervision recommended at all times  
Retain assembly instruction for future use

### Supervised Nursery Use

Maintenance must be carried out on a daily basis before the item is used  
Ensure that the product and any content is clean before the product is used  
Ensure all surfaces are clean and dry  
Assembly is to be carried out by a competent adult only. During assembly children should be kept away from the product due to possible risk of injury. Do not use this item if any components are missing or damaged  
Under no circumstances must modifications or repairs not approved by the manufacturer be conducted

## WARNING!

Ej lämplig för barn under 36 månader - små delar  
Lägst användarålder 3 år  
Högst användarvikt 50kgs  
För användning utomhus och på daghem endast under uppsikt av en vuxen  
Montering av en vuxen krävs  
Tillsyn av en vuxen rekommenderas alltid  
Behåll monteringsanvisningarna för framtida bruk

### Bör vara under ständig översyn vid användning på daghem

Underhåll måste utföras dagligen innan föremålet används  
Säkerställ att produkten och allt innehåll är rengjort innan produkten används  
Säkerställ att alla ytor är rena och torra  
Under inga omständigheter får ändringar eller reparationer som inte har godkänts av tillverkaren utföras.

## AVERTISSEMENT !

Ne convient pas aux enfants de moins de 36 mois - petites pièces  
Age minimum de l'utilisateur 3 ans  
Poids maximum de l'utilisateur 50kgs  
À usage domestique et crèche en extérieur toujours sous la surveillance d'un adulte.  
Assemblage par un adulte nécessaire  
Ne jamais laisser un enfant jouer sans surveillance  
Conservez les instructions de montage pour référence ultérieure.

### Utilisation supervisée en crèche

Une maintenance quotidienne doit avoir lieu avant l'utilisation de l'article.  
Veillez à ce que le produit et son contenu soient propres avant leur utilisation.  
Veillez à ce que toutes les surfaces soient propres et sèches.  
Aucune modification ou réparation non approuvée par le fabricant ne doit être effectuée, quelles que soient les circonstances.

## ACHTUNG!

Nicht für Kinder unter 36 Monaten geeignet – Kleinteile  
Das Mindestalter für Benutzer beträgt 3 Jahre  
Höchstgewicht des Benutzers 50kgs  
Nur zur Nutzung im Freien und, unter Aufsicht, im Kinderzimmer  
Montage muss durch einen Erwachsenen erfolgen  
Sollte nur unter unmittelbarer Aufsicht von Erwachsenen benutzt werden  
Bewahren Sie die Montageanleitung für eine spätere Nutzung auf

### **Nutzung im Kinderzimmer unter Aufsicht**

Muss täglich vor jeder Nutzung gewartet werden  
Stellen Sie sicher, dass Produkt und Inhalt sauber sind, bevor diese genutzt werden  
Achten Sie darauf, dass alle Oberflächen sauber und trocken sind  
Veränderungen oder Reparaturen dürfen unter keinen Umständen ohne Zustimmung des Herstellers ausgeführt werden

## ATTENZIONE!

Non adatto a bambini al di sotto dei 36 mesi. Contiene pezzi piccoli. Pericolo di soffocamento  
Età minima dell'utente 3 anni  
Peso massimo dell'utente 50kgs  
Per uso esterno domestico e in asilo nido solo sotto la supervisione di un adulto  
È necessario l'assemblaggio di un adulto  
Si raccomanda sempre la supervisione di un adulto  
Conservare le istruzioni di assemblaggio per usi futuri

### **Uso in asilo nido sotto la supervisione di un adulto**

Prima di utilizzare questo prodotto, eseguire quotidianamente le operazioni di manutenzione  
Assicurarsi che il prodotto e qualsiasi suo contenuto sia pulito prima di utilizzarlo  
Assicurarsi che tutte le superfici siano pulite e asciutte  
Non eseguire in nessuna circostanza modifiche o riparazioni non approvate dal fabbricante

## WAARSCHUWING!

Niet geschikt voor kinderen jonger dan 36 maanden – kleine onderdelen, verstikkingsgevaar  
Minimum leeftijd van gebruiker: 3 jaar  
Maximum gewicht van gebruiker 50kgs  
Voor gebruik buitenshuis en in peuter- en kleuteronderwijs, alleen onder toezicht van volwassenen  
Montage door een volwassene vereist  
Toezicht van een volwassene te allen tijde aanbevolen  
Bewaar deze montage-instructies voor later

### **Gebruik onder toezicht in peuter- en kleuteronderwijs**

Onderhoud moet dagelijks uitgevoerd worden alvorens het apparaat gebruikt wordt  
Zorg ervoor dat het product en de inhoud vóór gebruik schoon zijn  
Zorg ervoor dat alle oppervlakken schoon en droog zijn  
In geen enkel geval modificaties of reparaties uitvoeren welke niet door de fabrikant zijn goedgekeurd

## AVERTENCIA!

No es conveniente para niños menores de 36 meses, ya que posee partes pequeñas

Edad mínima del usuario 3 años

Peso máximo del usuario: 50kgs

Para uso al aire libre en el ámbito doméstico y en guarderías bajo supervisión de personas adultas exclusivamente

El montaje de este juguete debe llevarlo a cabo un adulto.

Se recomienda en todo momento la supervisión de un adulto

Conserve las instrucciones de montaje, ya que podría necesitarlas en el futuro

### **Puede utilizarse en guarderías bajo supervisión**

El mantenimiento de este juguete debe realizarse a diario antes de ser utilizado.

Antes de utilizar el producto, compruebe que tanto éste como cualquier contenido estén limpios.

Compruebe que todas las superficies estén limpias y secas.

No deberán realizarse bajo ningún concepto alteraciones ni reparaciones que no hayan sido autorizadas por el fabricante.

## VAROVÁNÍ!

Není vhodné pro děti mladší 36 měsíců – drobné součásti

Minimální věk uživatele je 3 let

Maximální hmotnost uživatele 50kgs

Pro venkovní použití doma a v mateřské škole pouze pod dohledem dospělé osoby

Vyžaduje se montáž dospělou osobou

Doporučuje se po celou dobu dozor dospělé osoby

Ponechte si montážní návod pro budoucí použití

Použití v mateřské škole pod dohledem

Údržba se musí provádět každý den před použitím předmětu

Zajistěte, aby byl produkt a jakýkoliv obsah čistý a suchý před použitím produktu

Zajistěte, aby všechny povrchy byly čisté a suché

Za žádných okolností se nesmí provádět úpravy nebo opravy nepovolené výrobcem.

## UPOZORNENIE

Nevhodné pre deti mladšie ako 36 mesiacov - malé častice

Minimálny vek používateľa je 3 rokov

Maximálna hmotnosť používateľa 50kgs

Pre vonkajšie použitie doma a v materskej škole iba pod dohľadom dospeljej osoby

Vyžaduje sa montáž dospelou osobou

Dozor dospeljej osoby sa odporúča po celú dobu

Ponechajte si návod na montáž pre prípad budúceho použitia

Použitie v materskej škole pod dohľadom

Údržbu je nutné prevádzkať každý deň pred použitím predmetu

Zabezpečte, aby bol produkt a akýkoľvek obsah čistý a suchý pred použitím produktu

Zabezpečte, aby všetky povrchy boli čisté a suché

Za žiadnych okolností sa nesmie prevádzkať úpravy alebo opravy nepovolené výrobcem.

تحذير!

لا يصلح لاستخدام للأطفال دون 36 شهر - قطع صغير،  
الحد الأدنى لعمر المستخدم 3  
الحد الأقصى لوزن المستخدم 50kgs  
للاستخدام في الخارج والداخل و في روضة الأطفال تحت مراقبة شخص بالغ فقط  
يتطلب لتركيب أجزاء الجهاز شخص بالغ  
ينصح بضرورة وجود إشراف دائم من كبار السن عند استخدام الجهاز.

احتفظ بالتعليمات الخاصة بتركيب الجهاز للاستخدام مستقبلاً  
الاستخدام المراقب في روضة الأطفال  
يجب إجراء الصيانة يومياً قبل القيام باستخدام المواد  
احرص على أن المنتج وأي محتواه نظيف قبل القيام باستخدام المنتج  
احرص على أن جميع السطوح نظيفة وجافة  
يجب عقد الاجتماع من قبل شخص بالغ مختص فقط. ويلزم إبعاد الأطفال عن المنتج أثناء الاجتماع بسبب  
احتمال خطر الإصابة لا تستخدم هذه المادة إذا كانت أي من مكوناتها مفقودة أو متضررة  
لا يسمح بإجراء تعديلات أو إصلاحات غير معتمدة من قبل الشركة المصنعة للمنتج بأي حال من الأحوال.

## OSTRZEŻENIE!

Nie nadaje się dla dzieci w wieku poniżej 36 miesięcy – małe elementy  
Minimalny wiek użytkownika: 3 lat  
Maksymalna waga użytkownika 50kgs  
Wyłącznie do użytku domowego na dworze oraz do użytku w żłobkach i przedszkolach pod nadzorem osoby dorosłej  
Wymaga montażu przez osobę dorosłą  
Zalecany jest stały nadzór osoby dorosłej  
Zachowaj instrukcje montażu na przyszłość

Do użytku w żłobkach i przedszkolach pod nadzorem  
Codziennie przed użyciem produktu należy wykonać czynności konserwacyjne  
Przed użyciem produktu należy upewnić się, że produkt (oraz jego zawartość) jest czysty  
Należy upewnić się, że wszystkie powierzchnie są czyste i suche  
Produkt musi złożyć kompetentna osoba dorosła. Produkt należy składować z daleka od dzieci z uwagi na ryzyko odniesienia obrażeń ciała. Produktu nie należy używać, jeżeli brakuje jakichkolwiek części lub jeżeli któraś z części jest uszkodzona  
Nie należy nigdy przeprowadzać żadnych napraw ani modyfikacji nieautoryzowanych przez producenta

## ADVARSEL!

Ikke egnet til børn under 36 måneder - små dele, fare for kvælning  
Minimum brugeralder 3 år  
Maksimum brugervægt 50kgs  
Kun til anvendelse udendørs og i børneværelse under voksens opsyn  
Skal samles af en voksen  
Bør altid anvendes under opsyn af en voksen  
Gem samlevejledningen til fremtidig brug

## Brug af overvåget børneværelse

Vedligeholdelse skal udføres hver dag, før enheden anvendes.  
Sørg for, at produktet og evt. indhold er rent, før produktet anvendes.  
Sørg for at alle overflader er rene og tørre  
Der må under ingen omstændigheder udføres ændringer eller reparationer, der ikke er godkendt af fabrikanten

## UYARI!

36 aylıktan küçük çocuklar için uygun değildir – küçük parçalar  
Minimum kullanıcı yaşı 3 yıl  
Maksimum kullanıcı ağırlığı 50kgs  
Yalnızca yetişkin gözetimi altında dış mekan ev ve kreş kullanımı içindir  
Bir yetişkin tarafından monte etmesi gerekir  
Her zaman yetişkin gözetimi önerilir  
Montaj açıklamalarını ileride kullanım için saklayın

### Gözetimli Kreş Kullanımı

Ürün kullanılmadan önce günlük olarak bakım yapılmalıdır  
Ürün kullanılmadan önce, ürünün ve içindekilerin temiz olduğundan emin olun  
Tüm yüzeylerin temiz ve kuru olduğundan emin olun  
Montaj yalnızca yetkin bir yetişkin tarafından yapılmalıdır. Yaralanma riskinden dolayı montaj sırasında çocuklar üründen uzak tutulmalıdır. Bileşenler eksik veya hasarlıysa bu ürünü kullanmayın.  
Hiçbir koşulda, imalatçı tarafından onaylanmamış olan değişiklikler veya tamirler yapılmamalıdır















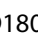












## FIGYELMEZTETÉS!

Nem alkalmas 36 hónapnál fiatalabb gyerekek számára - apró részek  
Minimális felhasználók kora 3 év  
Max. terhelhetőség 50kgs  
A kültéri házi és óvodai használat kizárólag felnőtt felügyelete mellett engedélyezett  
Felnőtt összeszerelésre szükséges  
Minden alkalommal egy felnőtt felügyelete mellett ajánlott  
Őrizze a szerelési utasítást későbbi használatra

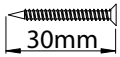
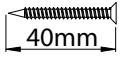


### Az óvodában a felügyelet kötelező

Ürün kullanılmadan önce günlük olarak bakım yapılmalıdır  
Ürün kullanılmadan önce, ürünün ve içindekilerin temiz olduğundan emin olun  
Tüm yüzeylerin temiz ve kuru olduğundan emin olun  
Hiçbir koşulda, imalatçı tarafından onaylanmamış olan değişiklikler veya tamirler yapılmamalıdır

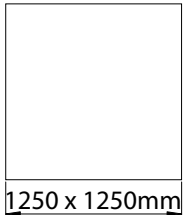
# WOOD: PARTS LIST

PART ID	QUANTITY
 D1800	3
 D1801	12
 D1802	4
 D1803	1
 D1804	4
 D1805	2
 D1806	1
 D1806	2
 D1807	1
 D1808	1
 D1809	x1
 D1810	x1
 D1811	x1
 D1812	x1
 D1813	x1
 D1814	x1
 D1815	1
 D1816	x1
 D1817	1
 D1818	x2
 D1819	3
 D1820	x1
 D1821	x1
 D1822	x1
 D1823	1
 D1824	x2
 D1825	2

## FASTENER LIST:


M4 x 30		x6
M4 x 40		x159
M4 x 50		x6
M4 x 60		x12

## FABRIC LIST:

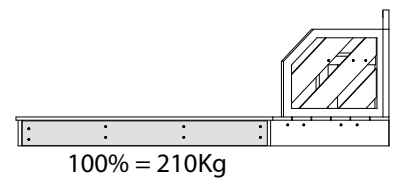
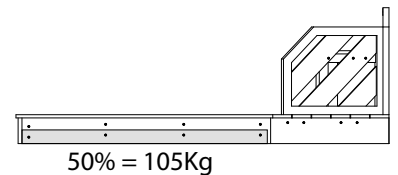
D1826		1
-------	---	---

## TOOLS REQUIRED:

PZ2 

PZ2 

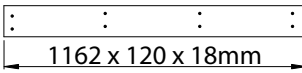
## SAND NOT INCLUDED:

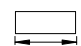



WOOD PACK:  




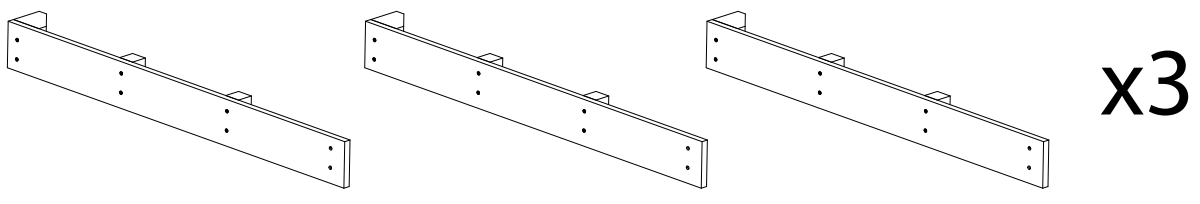
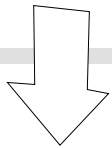
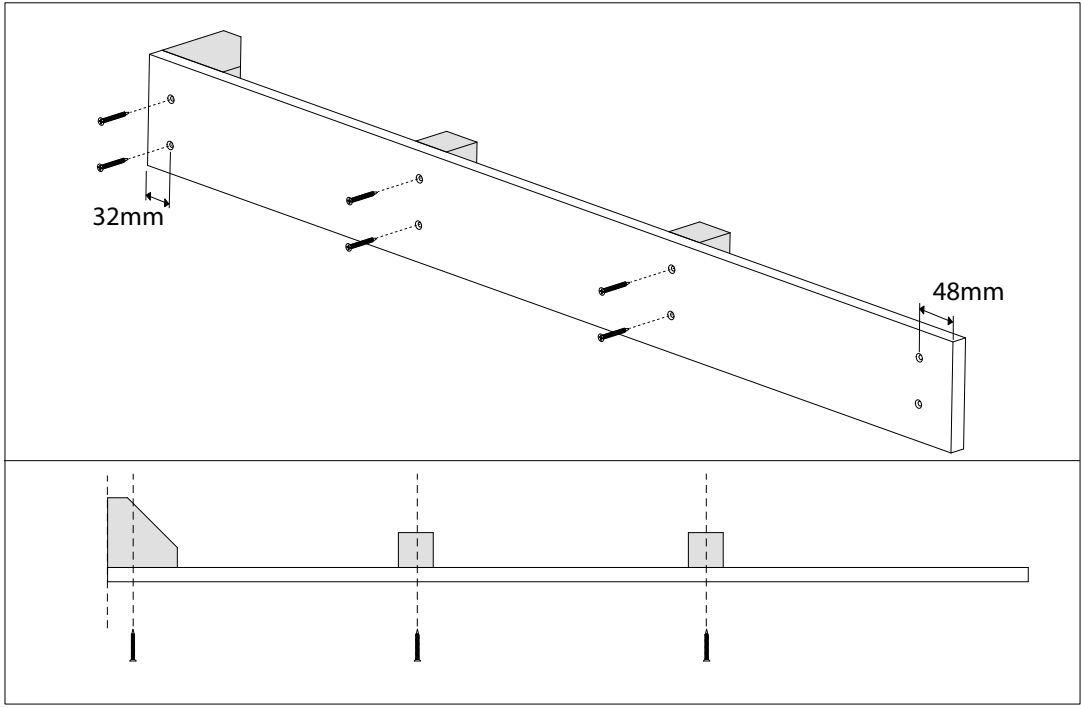
1

D1800  x3  
1162 x 120 x 18mm

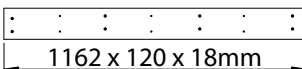
D1801  x6  
120 x 44 x 44mm

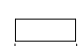
D1802  x3  
120 x 88 x 88mm

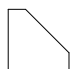
M4 x 40  x18  
40mm

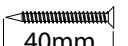


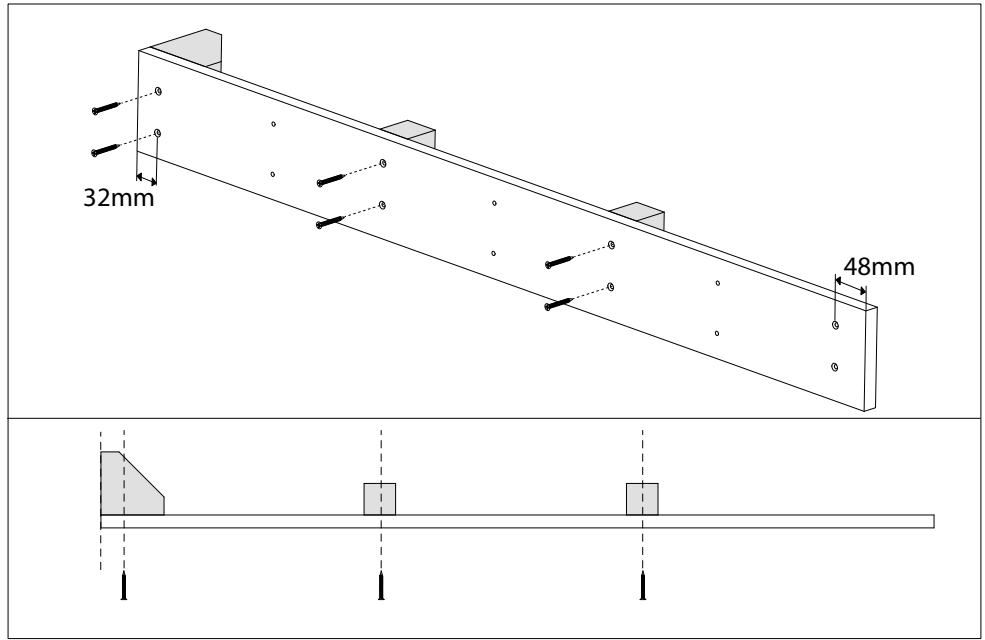
2

D1803  x1  
1162 x 120 x 18mm

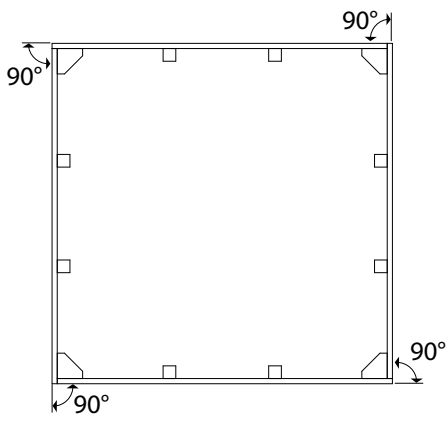
D1801  x2  
120 x 44 x 44mm

D1802  x1  
120 x 88 x 88mm

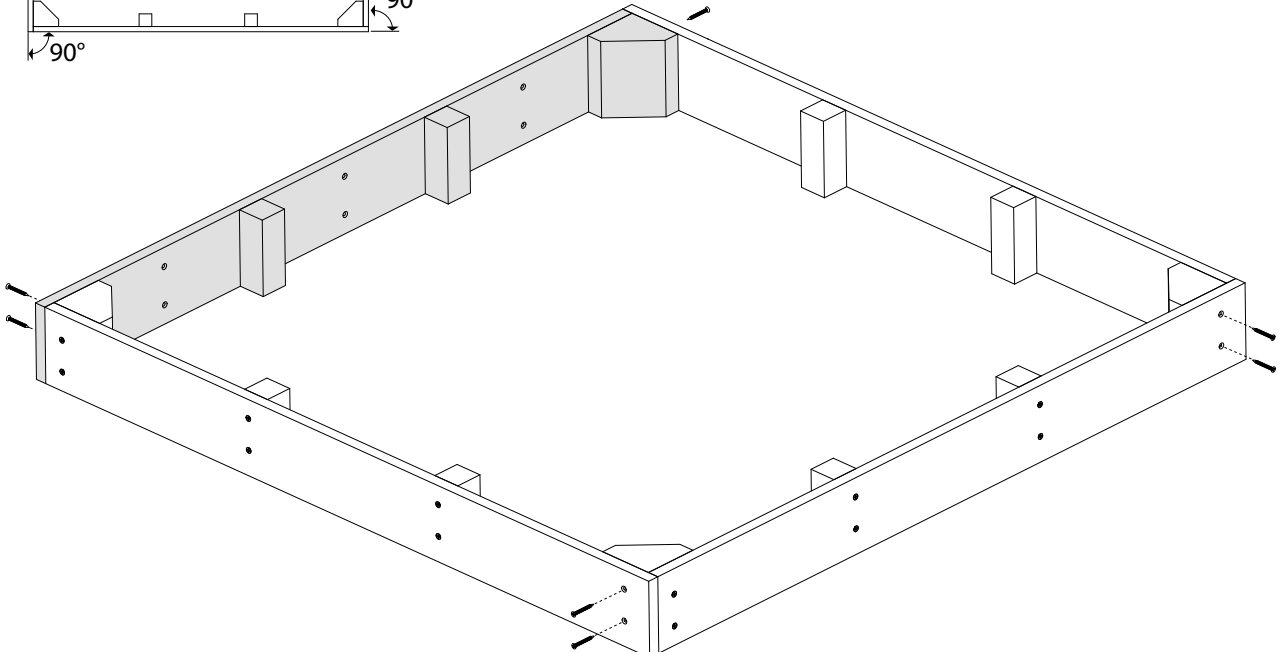
M4 x 40  x6  
40mm



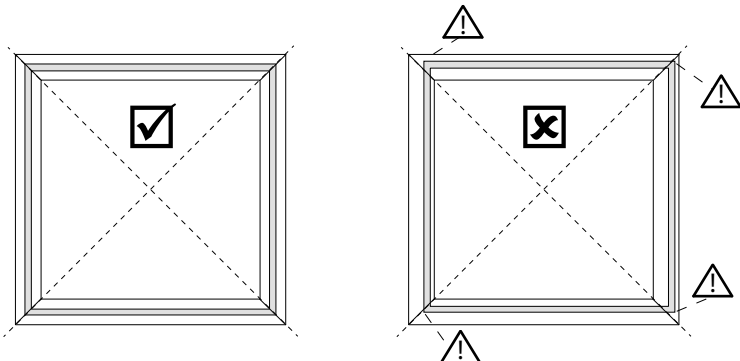
3

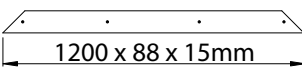



M4 x 40  x8

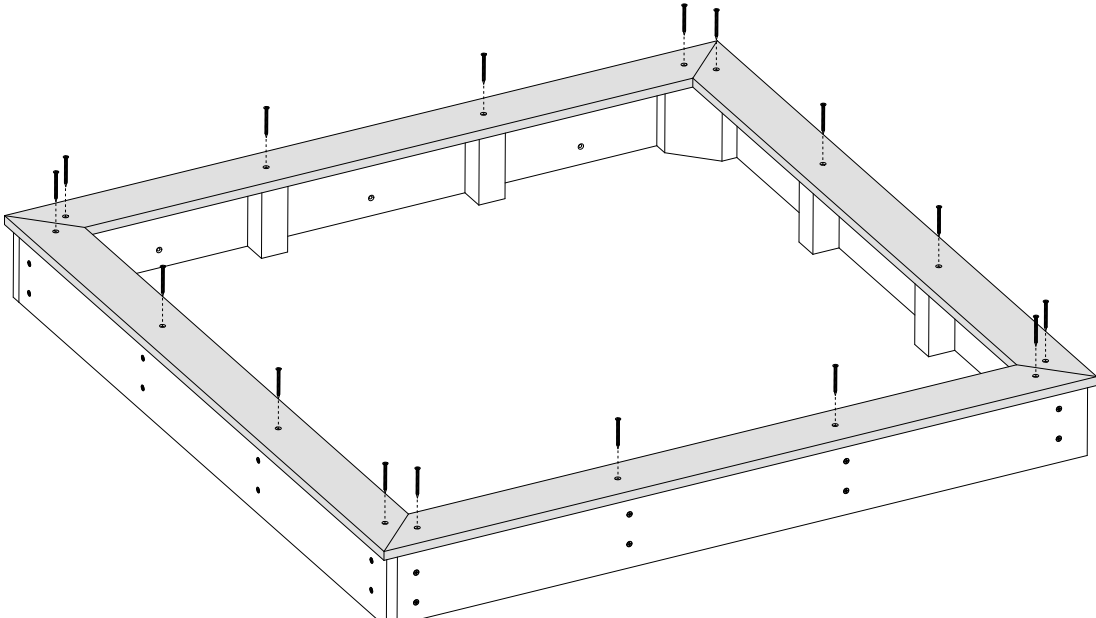


4

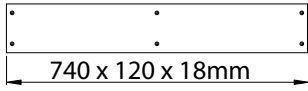
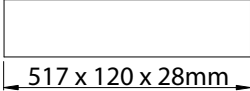
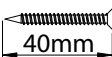


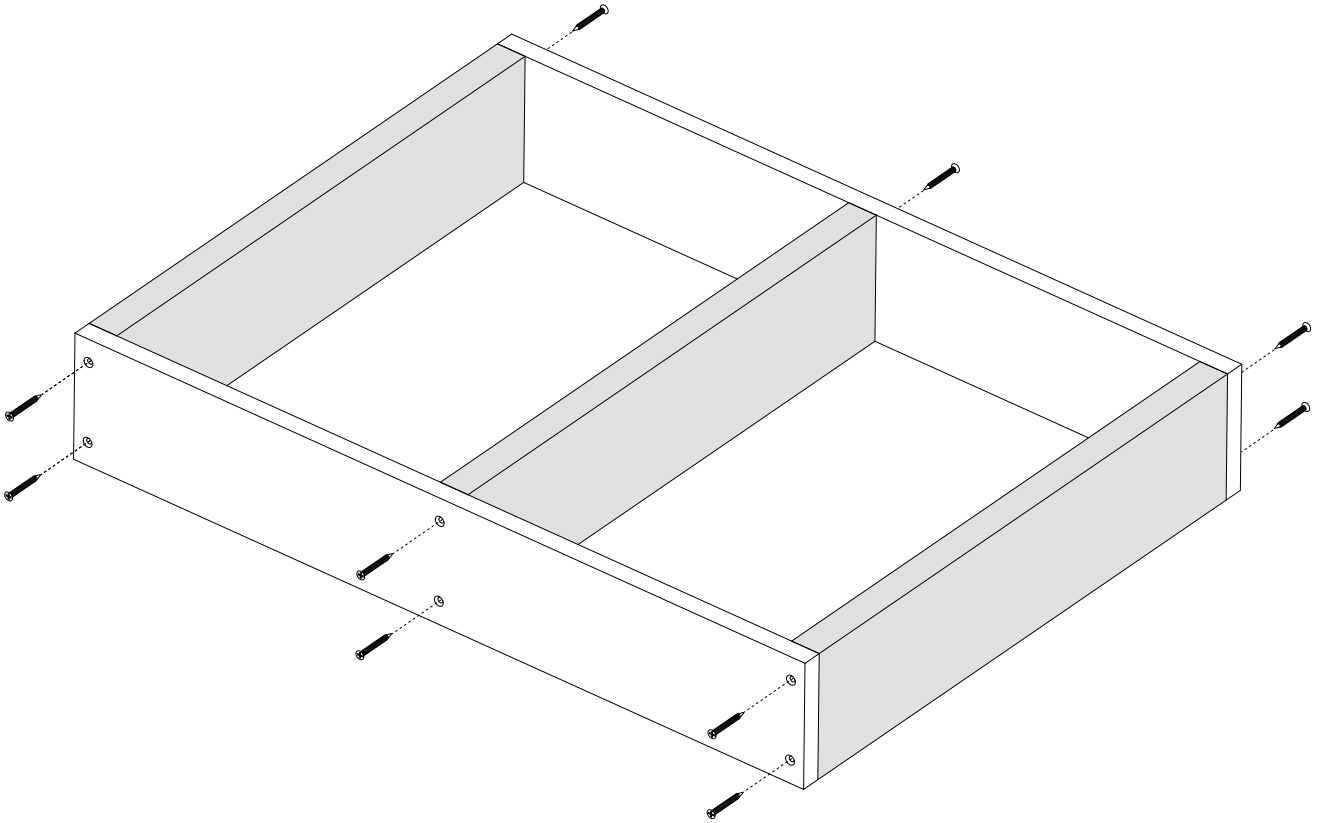
D1804  x4

M4 x 40  x16

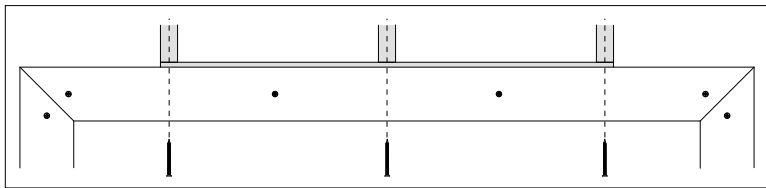


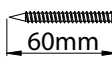
5

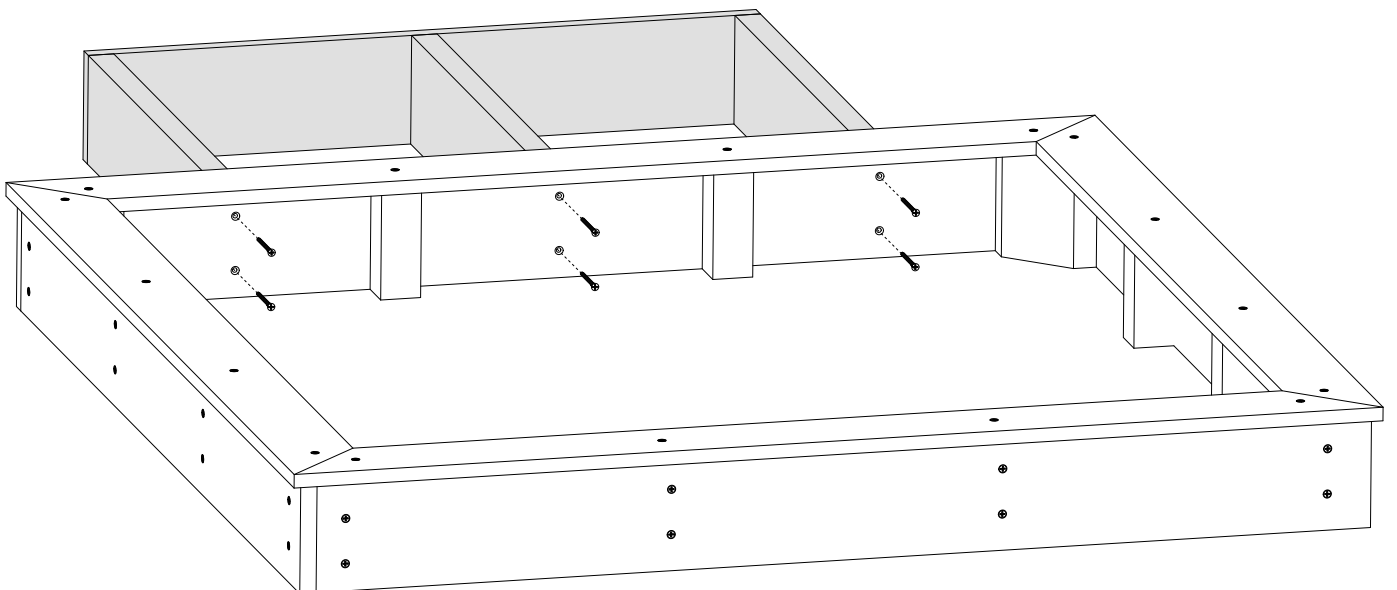
D1805  x2 | D1806  x3 | M4 x 40  x12



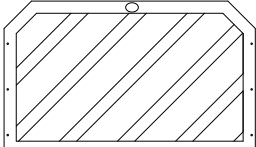
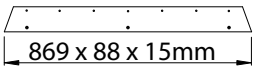
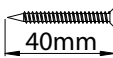
6

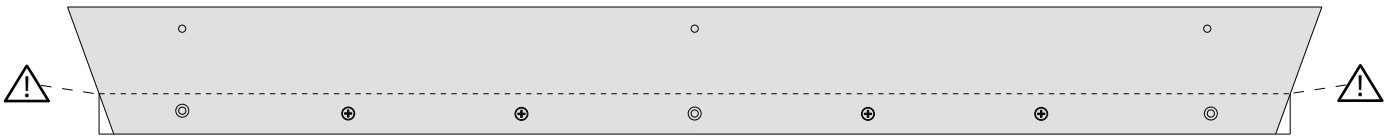
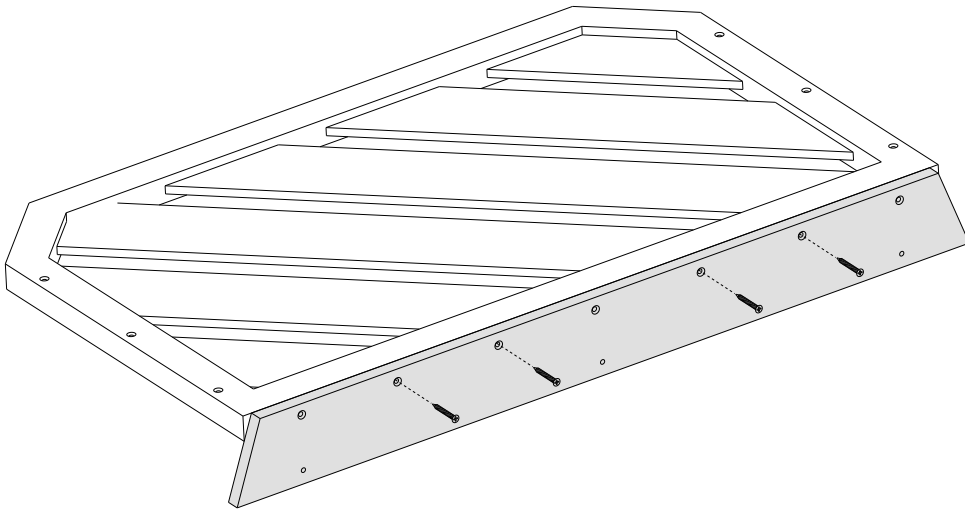


M4 x 60  x6

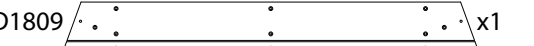

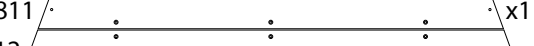
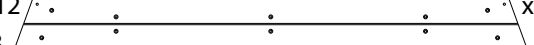
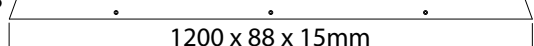



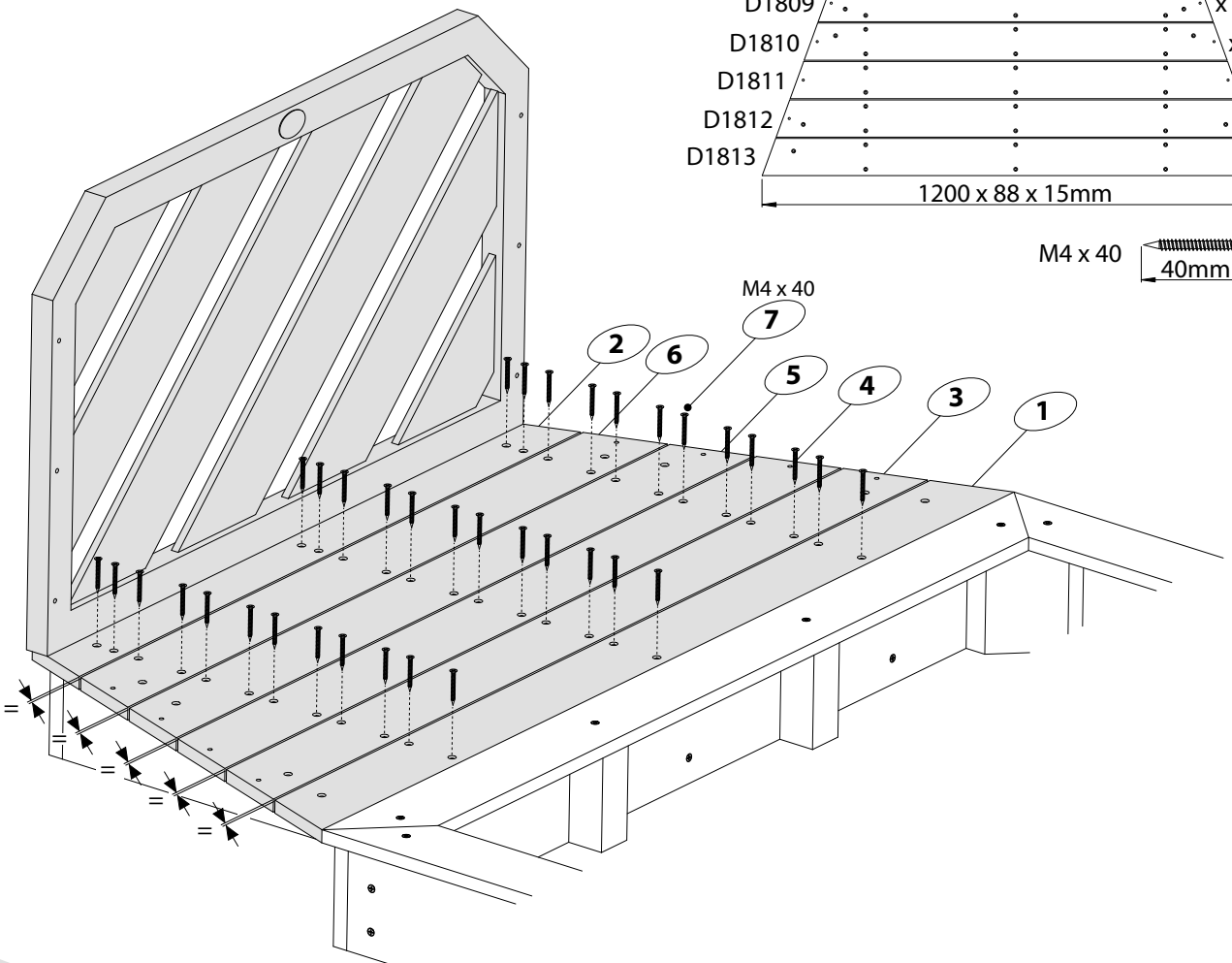
7

- D1807  x1  
825 x 500 x 28mm
- D1808  x1  
869 x 88 x 15mm
- M4 x 40  x4

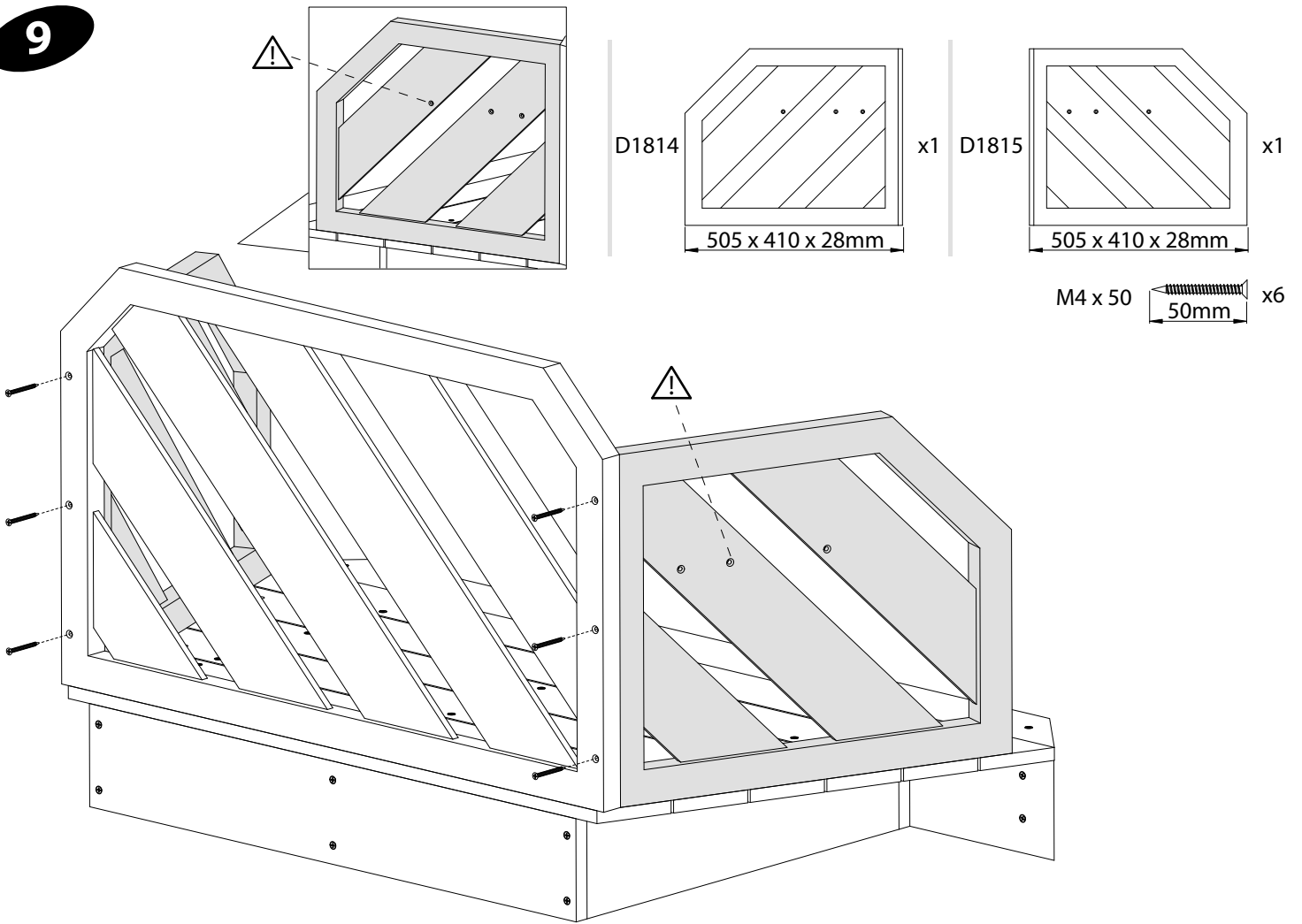


8

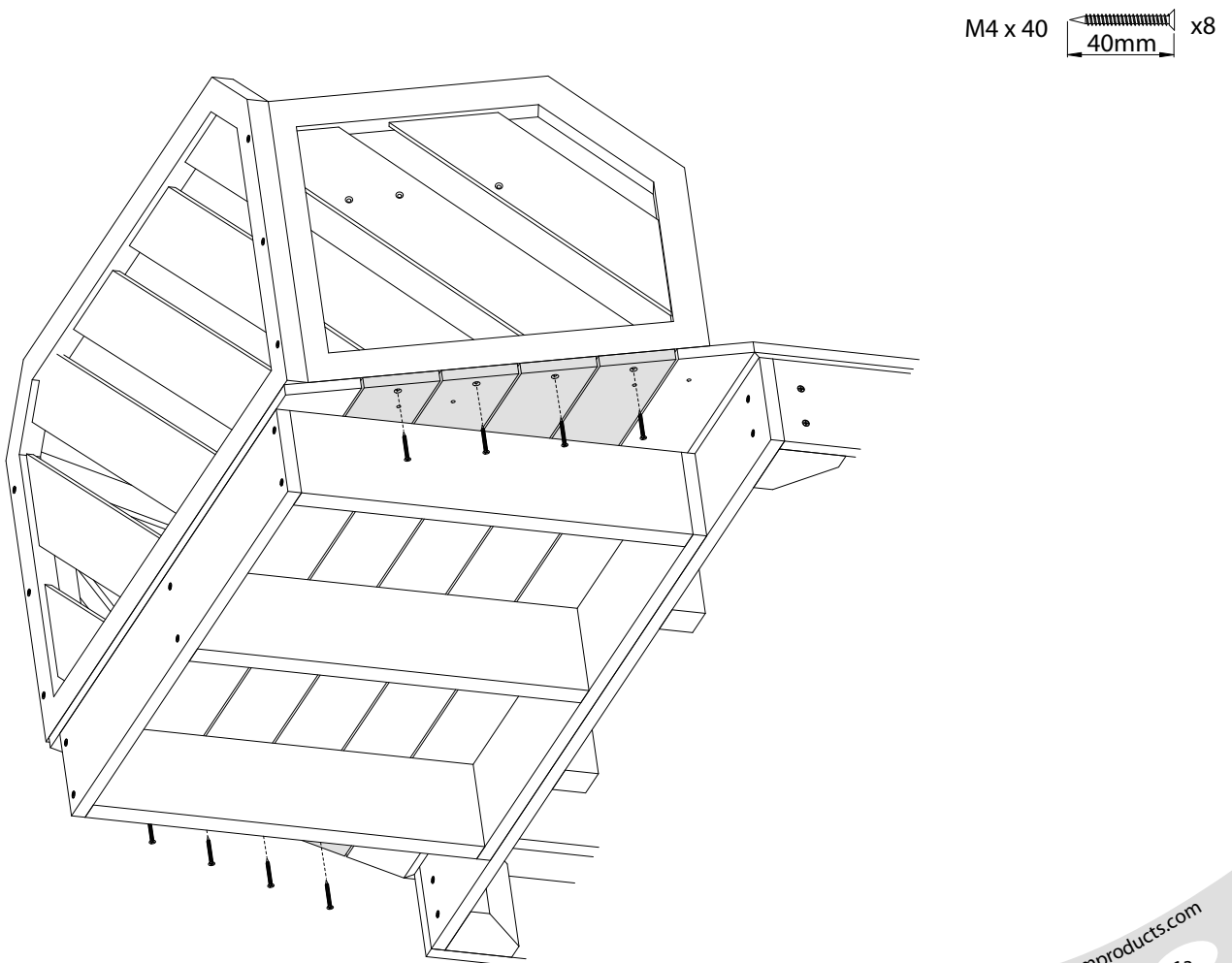
- D1809  x1
  - D1810  x1
  - D1811  x1
  - D1812  x1
  - D1813  x1
- 1200 x 88 x 15mm
- M4 x 40  x36



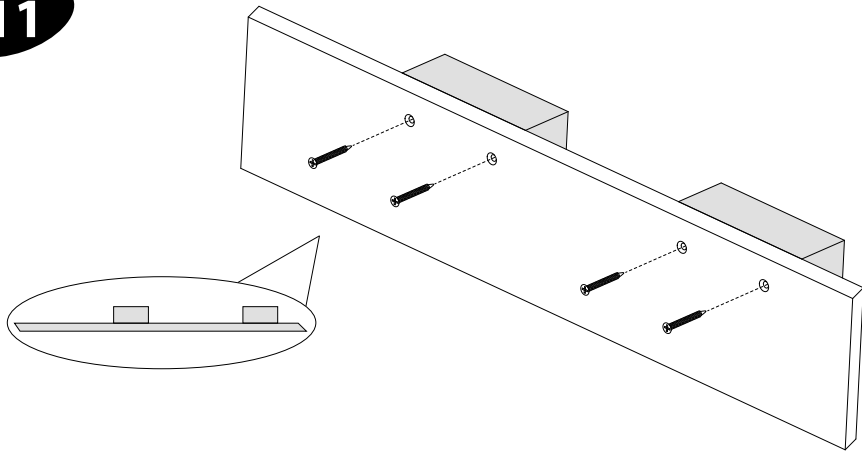
9

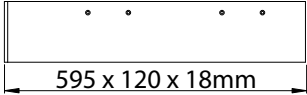

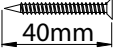


10

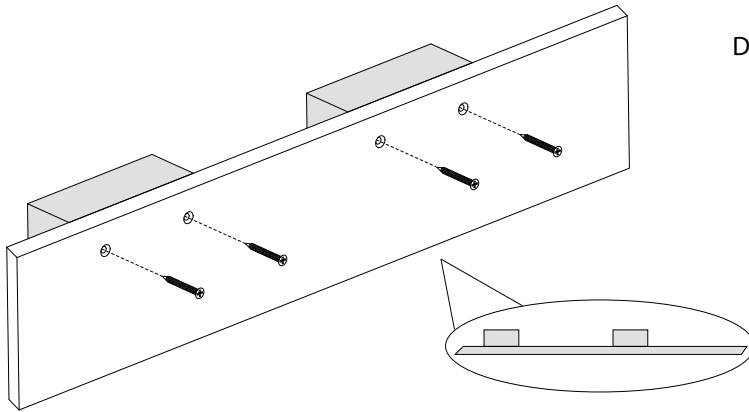


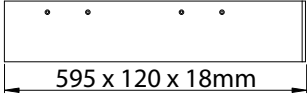

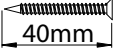
# 11



- D1816  x1  
595 x 120 x 18mm
- D1801  x2  
120 x 44x 44mm
- M4 x 40  x4  
40mm

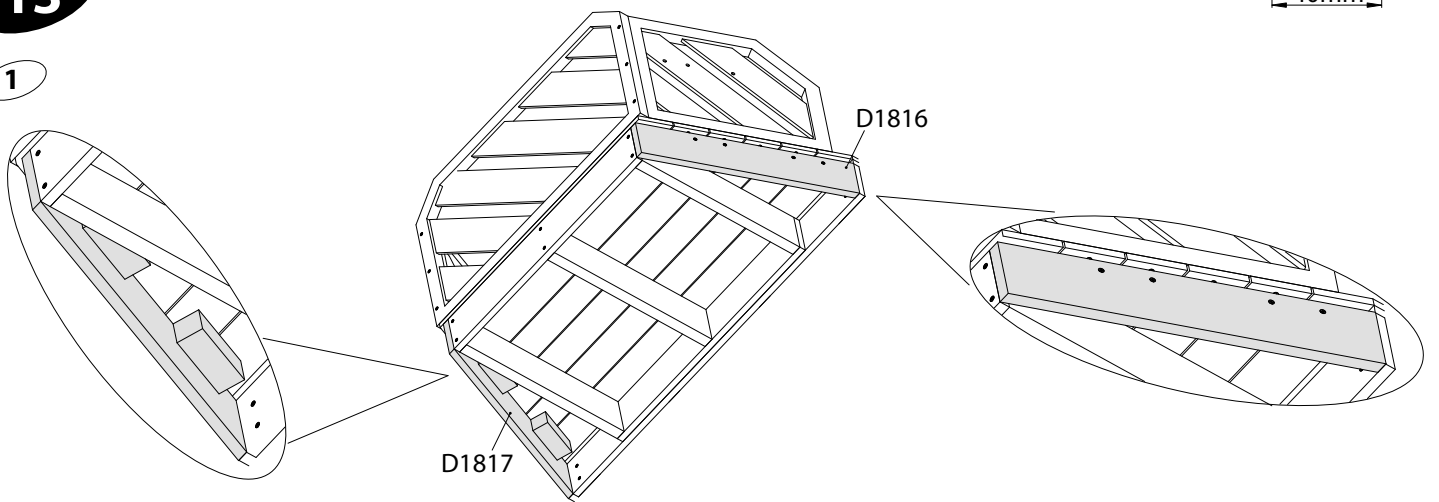
# 12

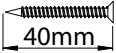


- D1817  x1  
595 x 120 x 18mm
- D1801  x2  
120 x 44x 44mm
- M4 x 40  x4  
40mm

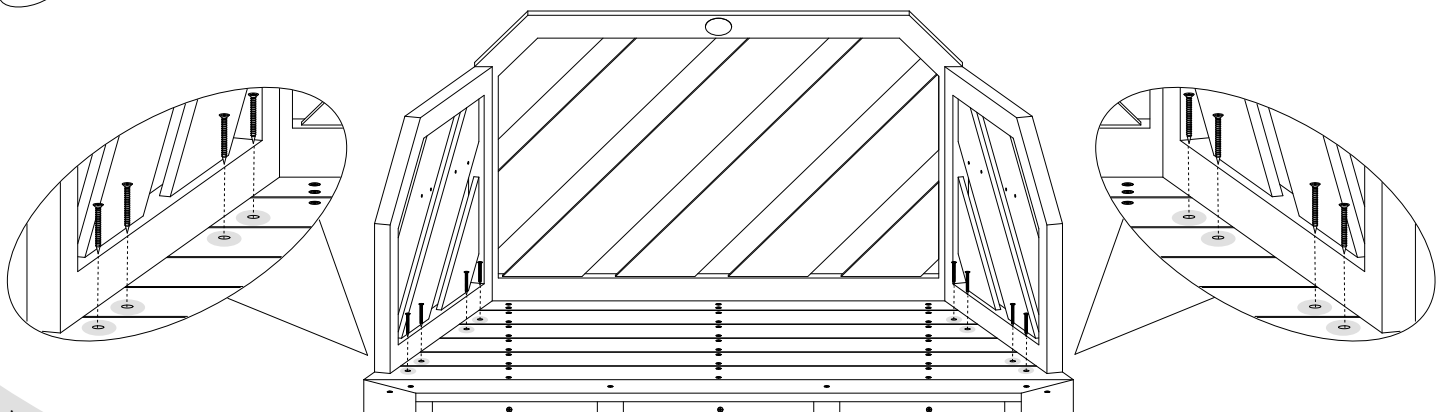
# 13

1

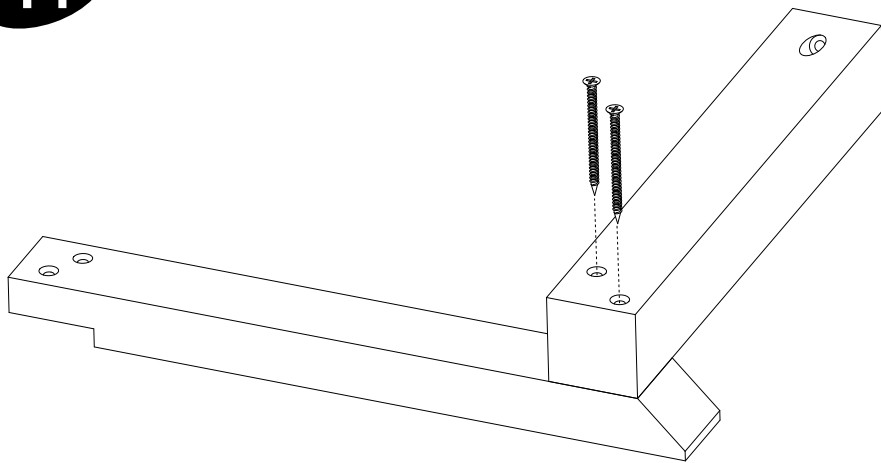


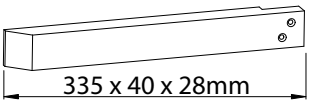
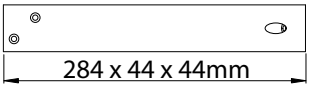
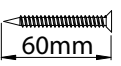
- M4 x 40  x8  
40mm

2

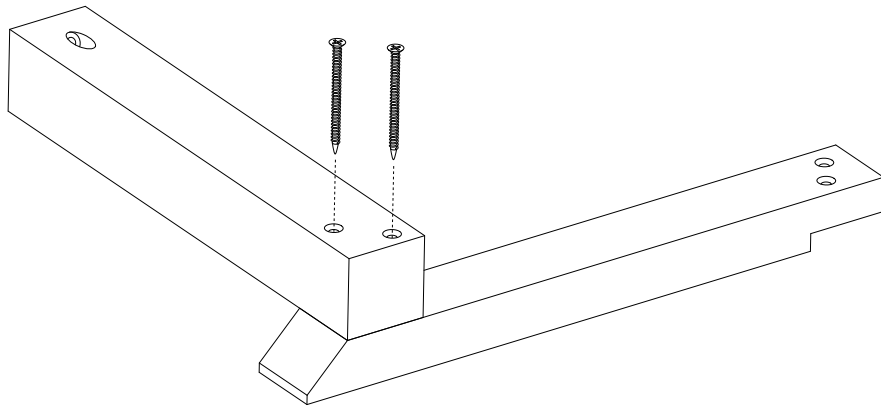


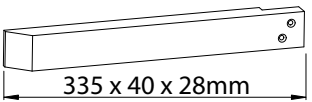
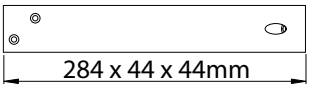
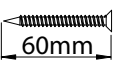
14



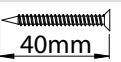
- D1818  x1
- D1819  x1
- M4 x 60  x2

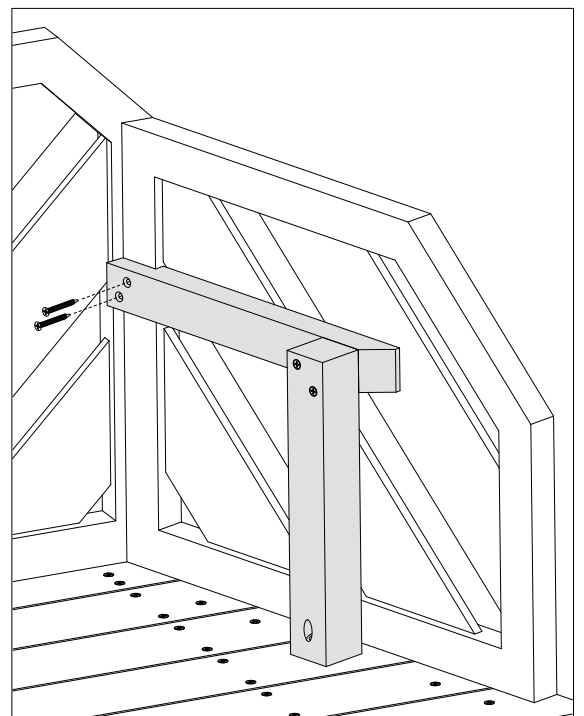
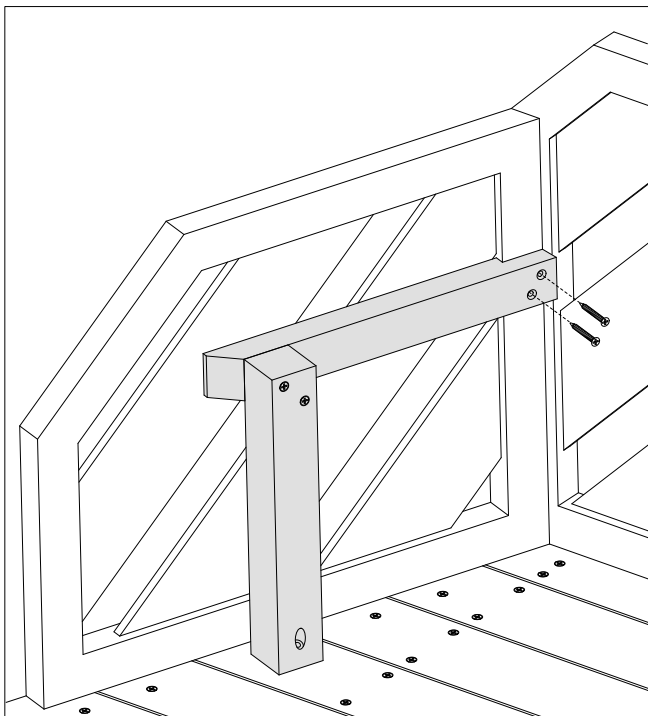
15



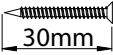
- D1818  x1
- D1819  x1
- M4 x 60  x2

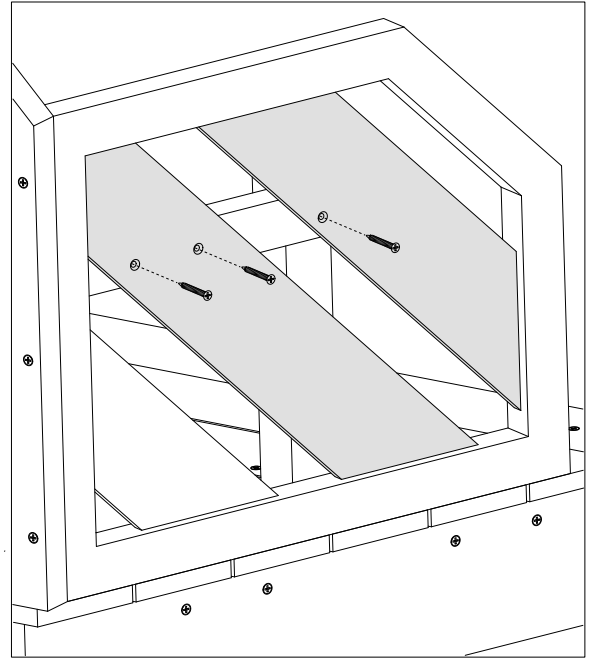
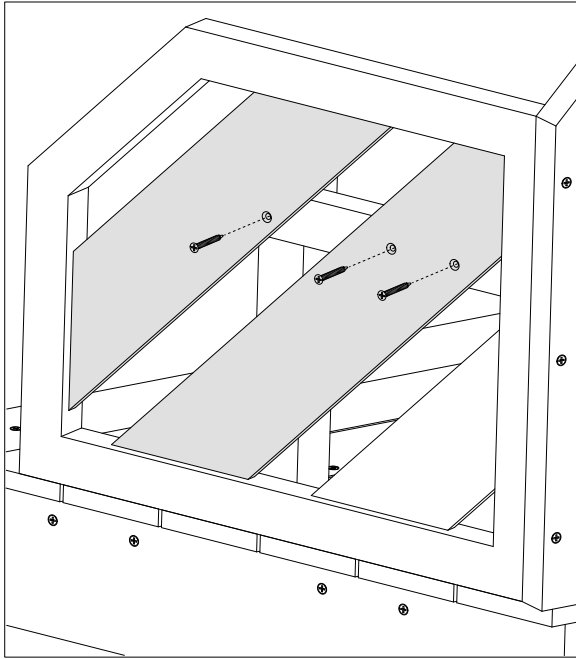
16

- M4 x 40  x4

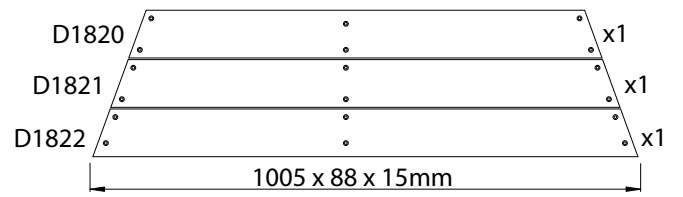


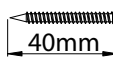
17

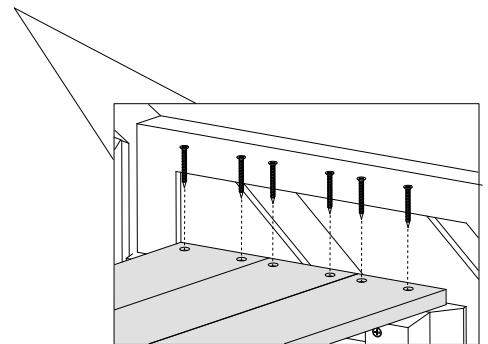
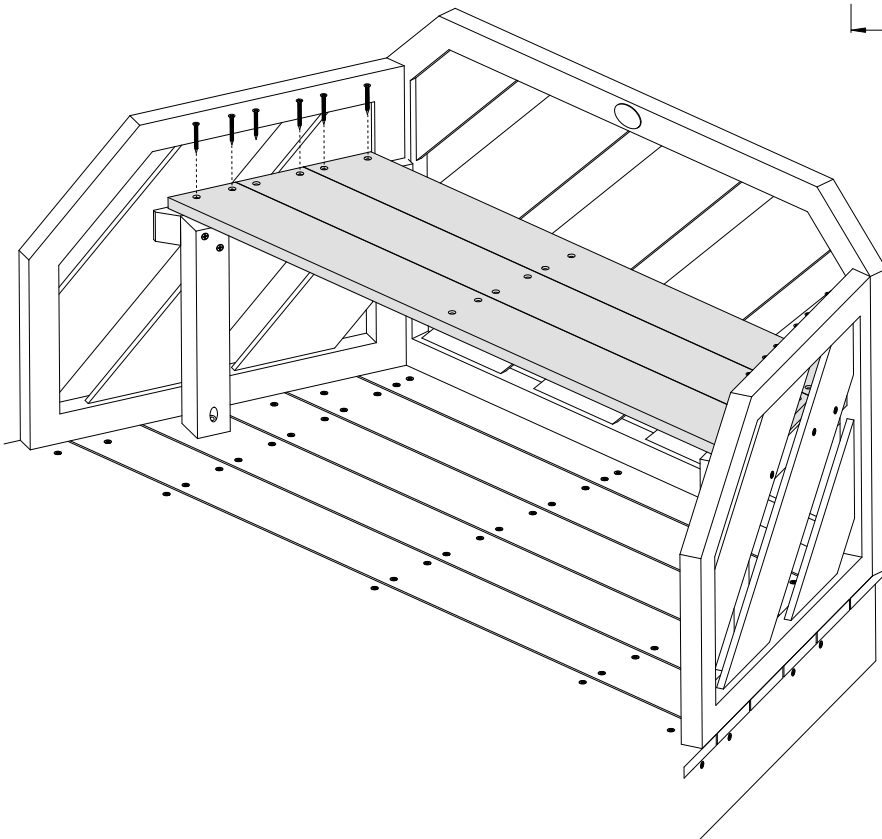
M4 x 30  x6



18

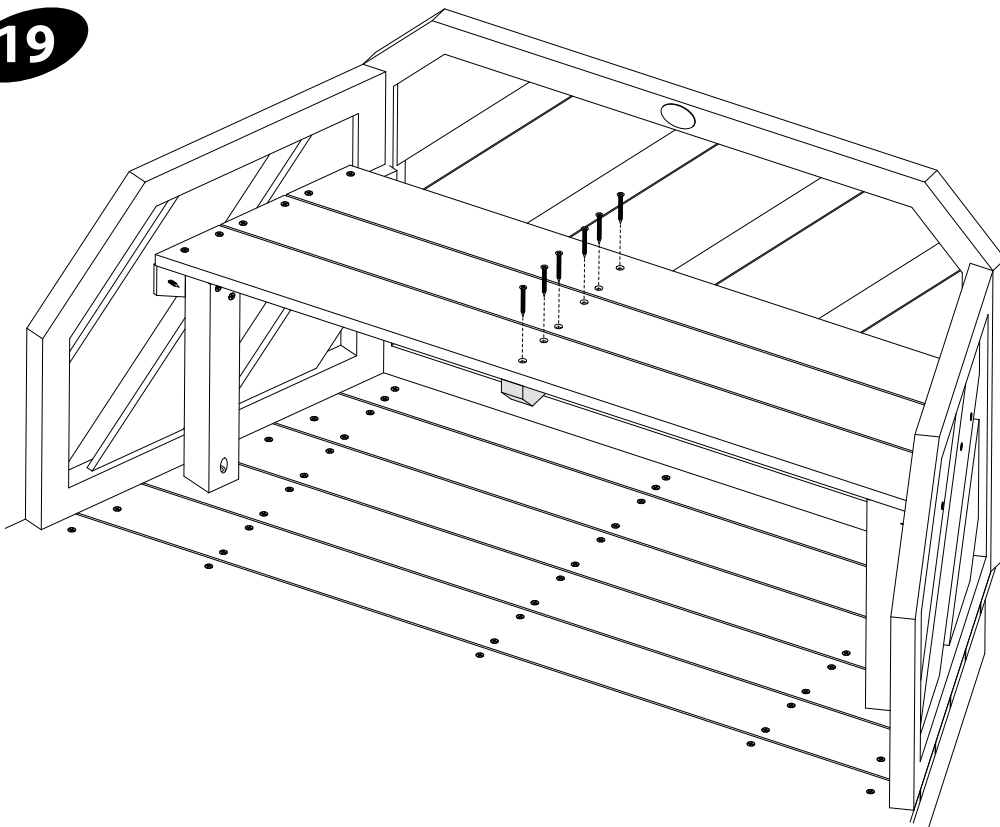


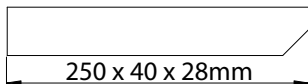
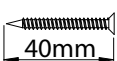
M4 x 40  x12

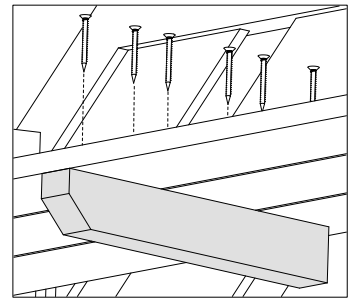




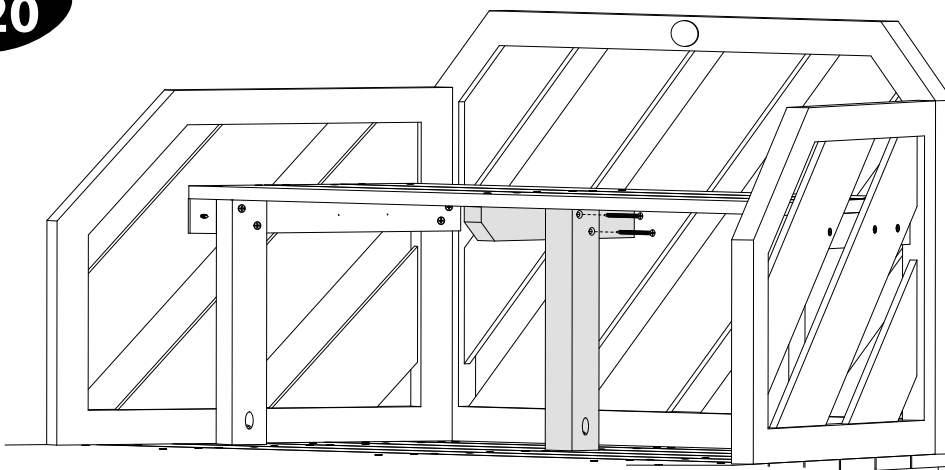
19

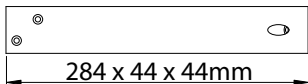
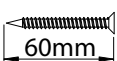


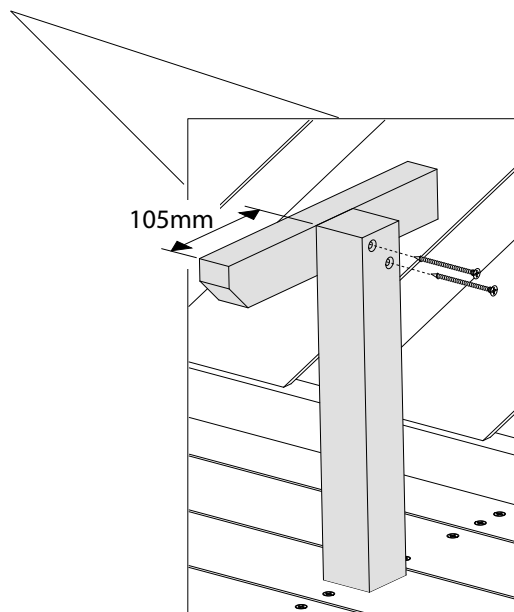
D1823  x1  
250 x 40 x 28mm  
M4 x 40  x6  
40mm




20

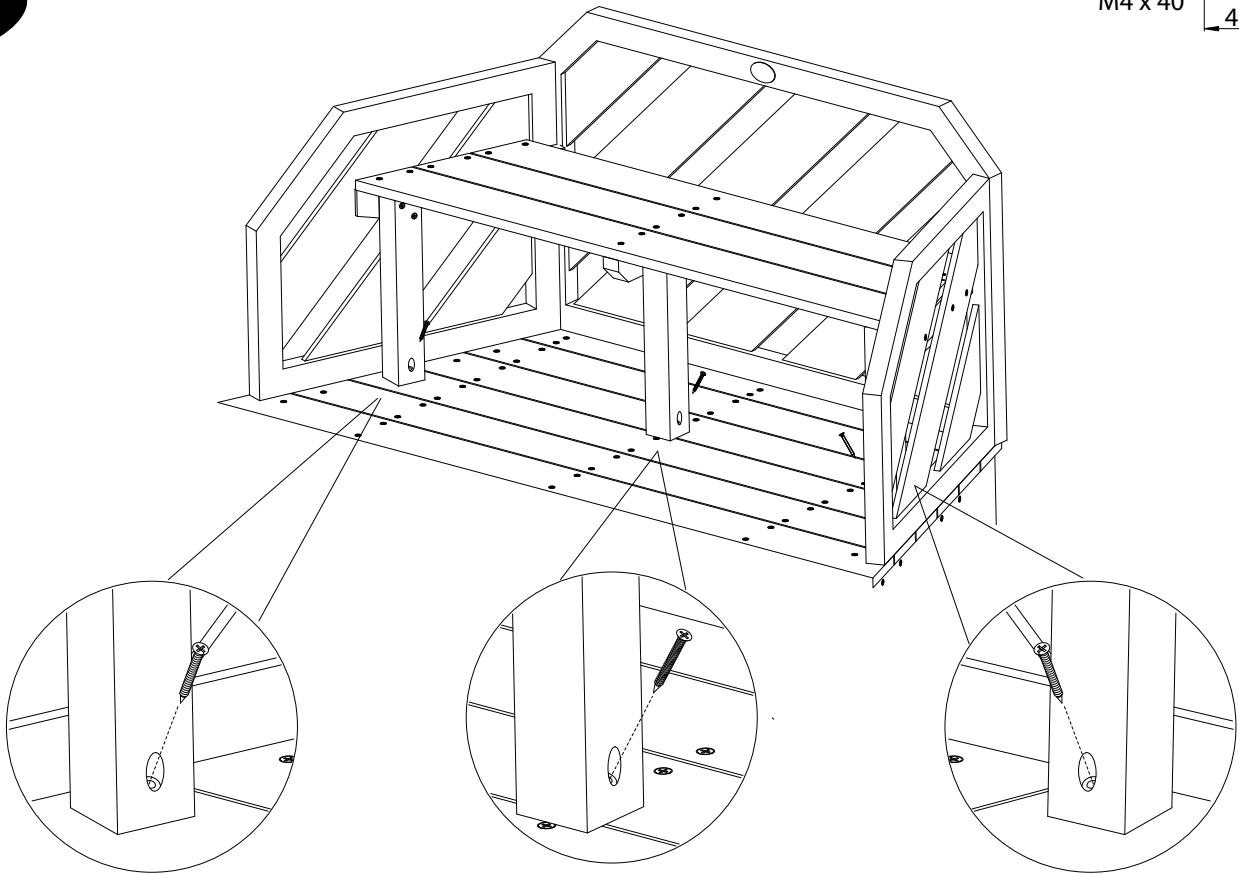


D1819  x1  
284 x 44 x 44mm  
M4 x 60  x2  
60mm

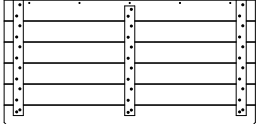


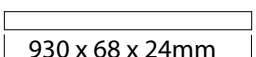
21

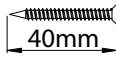
M4 x 40  x3

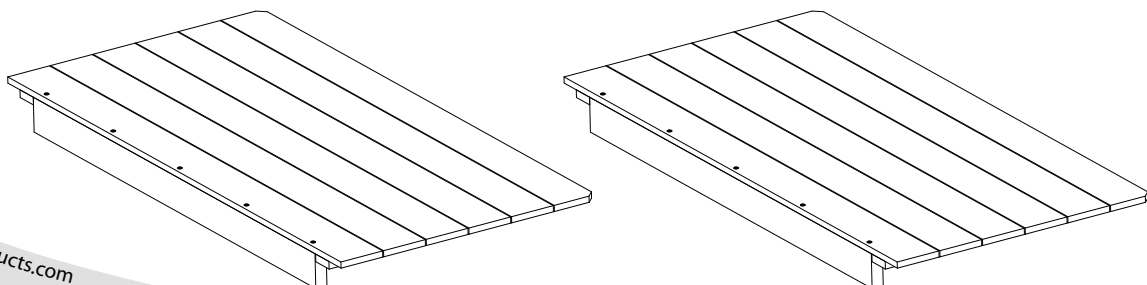
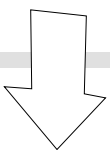
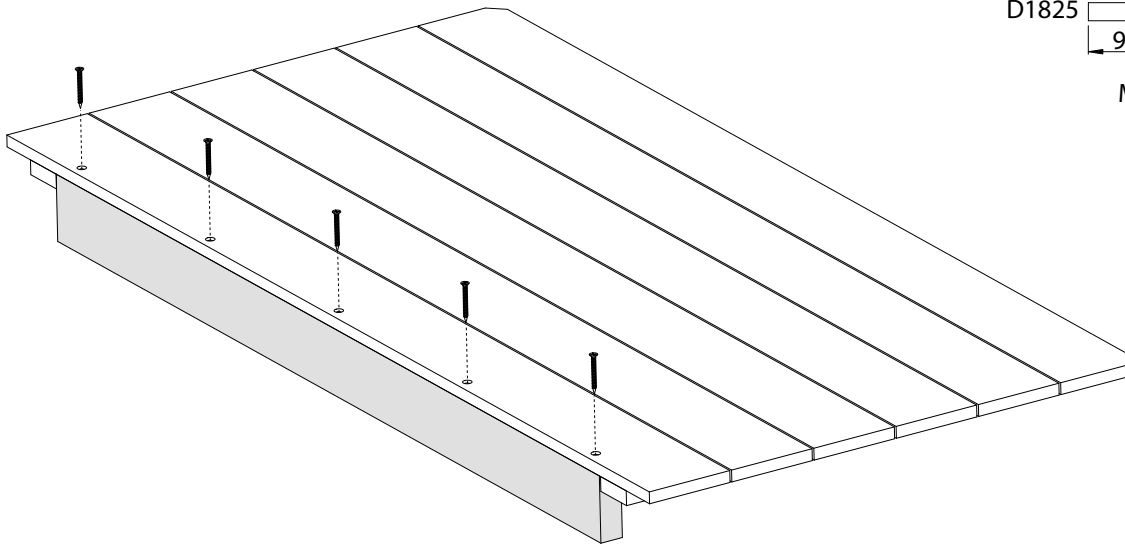


22

D1824  x2  
 100 x 550 x 15mm

D1825  x2  
 930 x 68 x 24mm

M4 x 40  x10



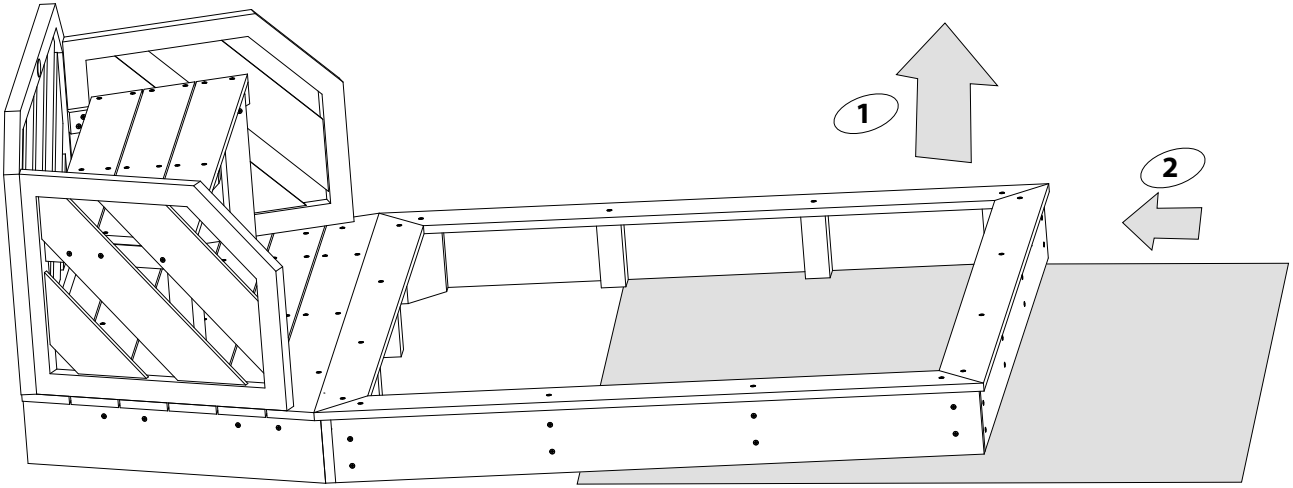
x2

23

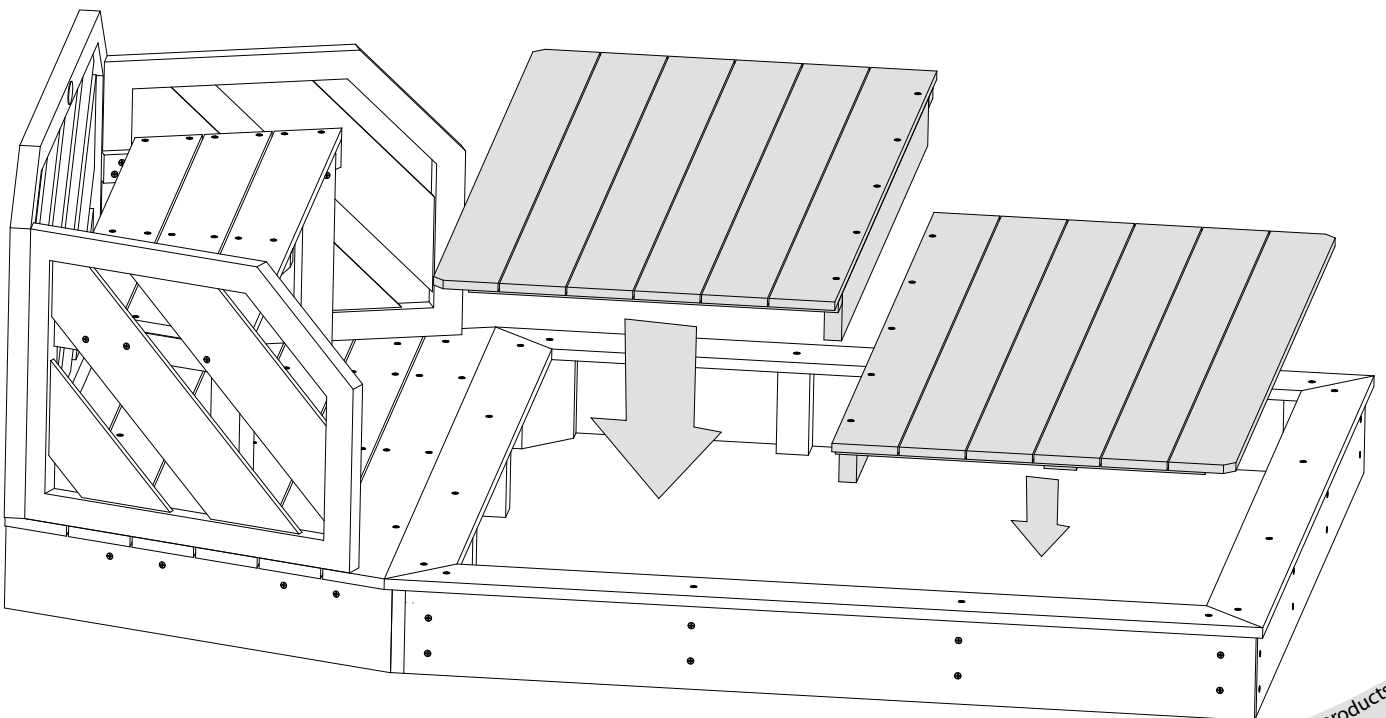
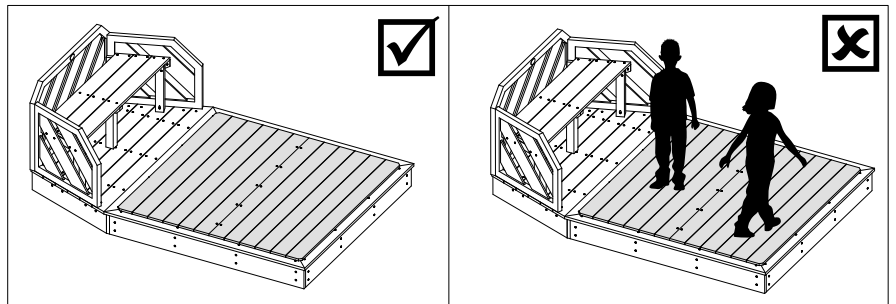
D1826

x1

1250 x 1250mm



24



## **UK Plum Products Warranty**

This product is guaranteed for twelve months from the date of purchase against manufacturing defects. The warranty is conditional on proof of purchase being presented in the event of a claim.

The warranty is registered to the original owner and is non-transferable. Regular maintenance is required to ensure safety, maximum life and performance of the product. Failure by the owner to maintain the product according to the maintenance requirements may render this warranty void. Maintenance guidelines are in the Instruction Manual provided with the product.

Plum Products® Ltd supplies safe, quality products. Any modifications made to the original product could damage the structural integrity of the unit leading to failure and possible injury. Modification shall render the warranty void and Plum Products® Ltd will accept no liability for any modified products or any consequences resulting from the failure of a modified product.

This product is warranted for domestic use only. Under no circumstance should the product be used in public or commercial settings such as schools or playgrounds, any such use may lead to product failure and potential injury. Any public or commercial use will render this warranty void.

These conditions do not affect your statutory rights as a consumer.

## **AUSTRALIA Plum Products Warranty**

Subject to proper installation and normal residential use, Plum Products (“Plum”) play products are warranted, subject to the limitations stated below, to the original retail purchaser or owner to be free from manufacturers defects in material or workmanship for a period of 1 (one) year from the date of original retail purchase.

All warranties may be registered. To register your warranty please visit [www.plumproducts.com](http://www.plumproducts.com) and retain your proof of purchase for the warranty period.

Goods covered under this limited warranty will be replaced or repaired, at our option, and returned to the customer at no cost to the customer. Plum reserves the right to examine photographs or physical evidence of goods claimed to be defective and to recover the goods prior to settling a warranty claim.

Non-residential use of the play products is prohibited and there will be no warranty for any commercial, competition or playground use as these products are designed for residential use only. No warranty shall apply on equipment subjected to abuse, negligence, improper installation or use, vandalism, acts of God, unauthorised alteration or attachment to other equipment, improper use or repair by the customer or a third party.

Whilst every endeavour is made to ensure the highest degree of safety in the product, freedom from injury cannot be guaranteed. It is essential to install correctly in accordance with installation instructions, supervise your children’s play activity and maintain your play equipment periodically according to manufacturer guidelines.

This warranty does not cover scratching or scuffing of the product as a result of normal wear and tear and any minor defects which do not affect the functionality of the product. This warranty is expressly in lieu of all other warranties, express or implied given by Plum.

Your statutory rights remain unaffected. Our goods come with guarantees that cannot be excluded under the Australian Consumer Law under which you are entitled to a replacement or refund for a major failure and for compensation for any other reasonably foreseeable loss or damage. You are also entitled to have the goods repaired or replaced if the goods fail to be of acceptable quality and the failure does not amount to a major one.

To make a claim please contact us immediately on our customer service number or email below.  
Telephone Plum Customer Services: 1800 900161  
Email: [Aushelpdesk@plumproducts.com](mailto:Aushelpdesk@plumproducts.com)

All claims must be made within 14 days of purchase or within a reasonable time of awareness of defect and must be accompanied by proof of purchase. Please therefore retain proof of purchase. Plum may reject claims which are not made within a reasonable time and/or where there is no proof of purchase. Plum will meet the cost of all agreed and validated claims.

Thank you for purchasing our product.  
Plum Products Australia Pty Ltd, 303/154-158 Military Road, Neutral Bay, NSW 2089, Australia.